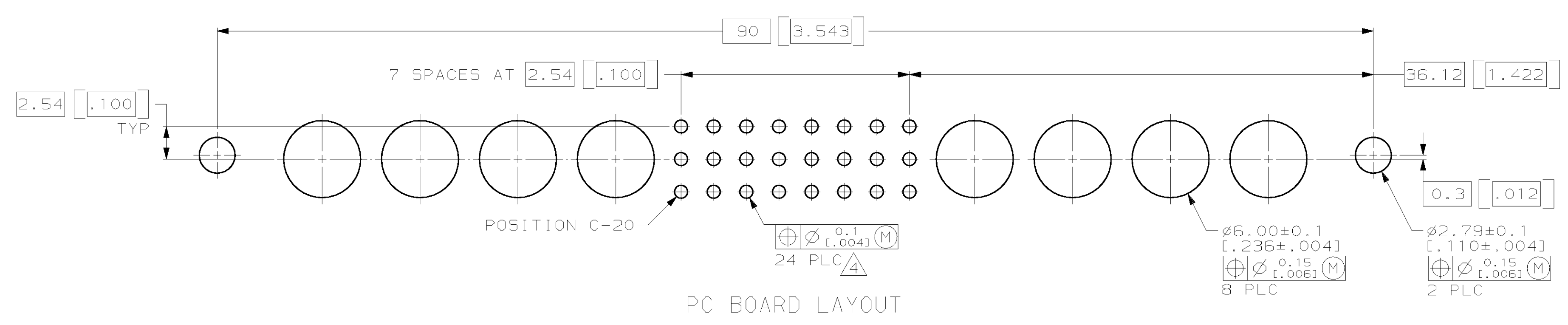
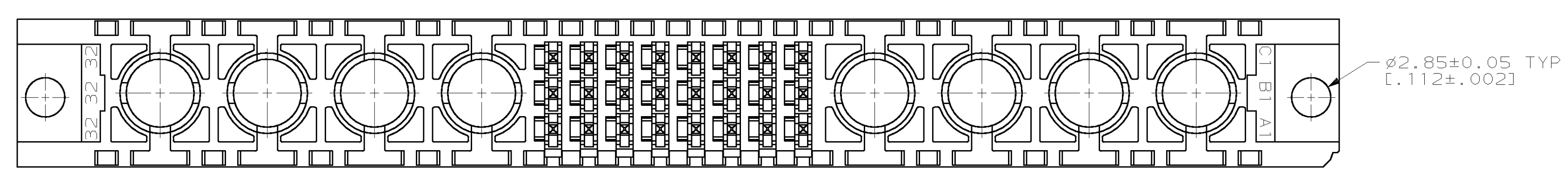
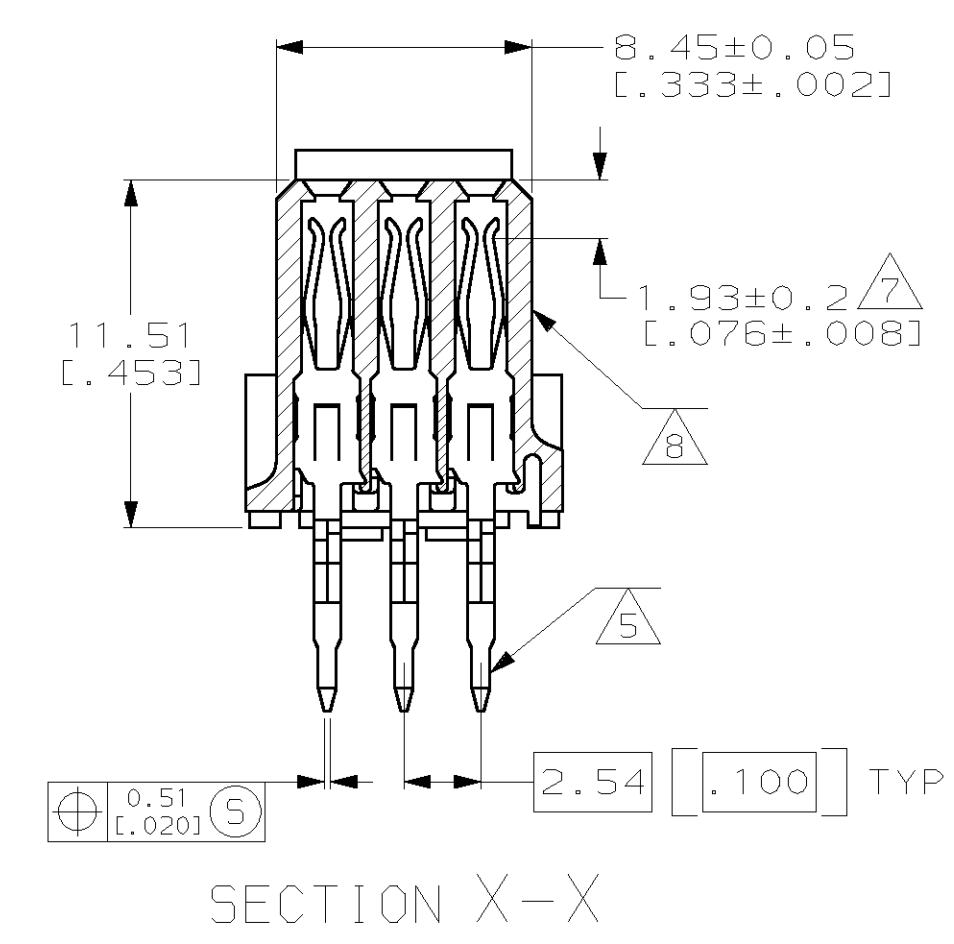
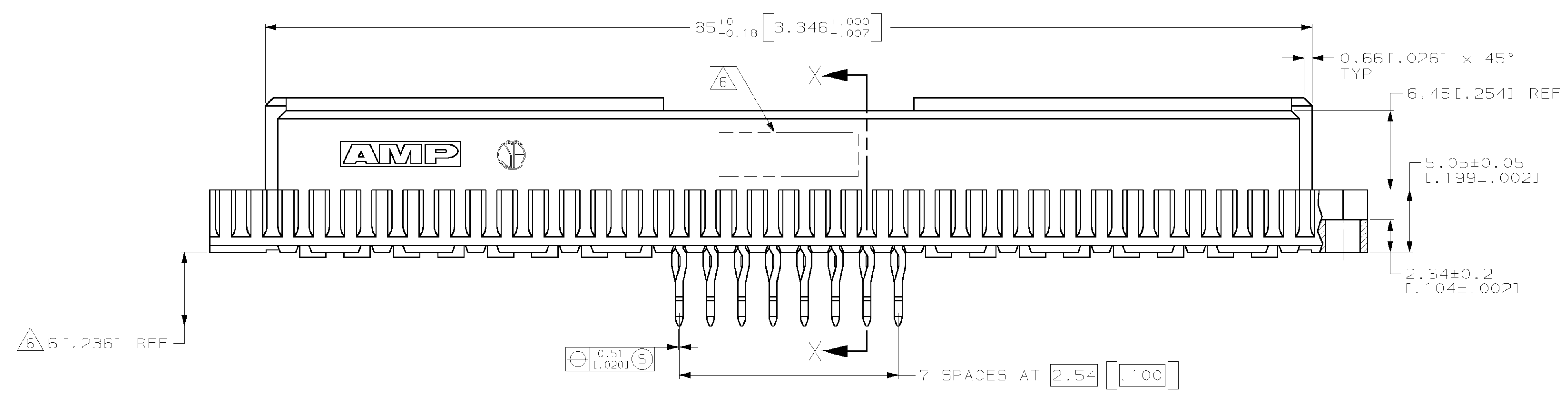
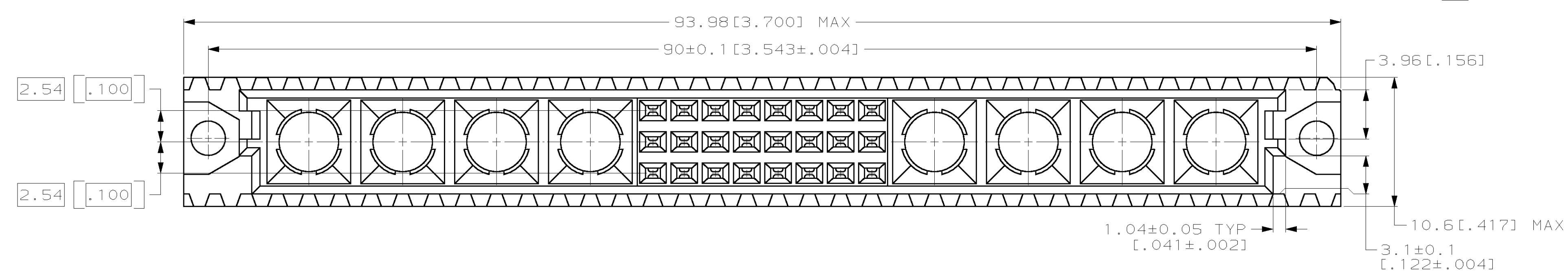


REVISONS		DATE	OWN	APPROV
AD	25			
	0	DRAWN	-	-
	A	REV PER EC 0621-80-99	06 APR 99	BC CR

- ① HOUSING MATERIAL: GLASS-FILLED POLYESTER. COLOR: GRAY.
- ② CONTACT MATERIAL: PHOSPHOR BRONZE.
- ③ PART NUMBER AND DATE CODE HOT STAMPED IN THIS APPROXIMATE AREA.
- ④ ACTION PIN POSTS REQUIRE 1.57[.062] MINIMUM THICK PC BOARD. RECOMMENDED PC BOARD DRILLED HOLES ARE  $\phi 1.151 \pm 0.025$  [.0453  $\pm$  .0010] WITH 0.02-0.08 [.001-.003] COPPER AND 0.008 [.0003] MINIMUM TIN-LEAD PLATING. FINISHED HOLES AFTER PLATING  $\phi 1.02 \pm 0.08$  [.040  $\pm$  .002].
- ⑤ CONTACT FINISH: DIN 41612 CLASS 2 IN CONTACT AREA. TIN-LEAD PLATE ON POSTS.
- ⑥ TAIL LENGTH AFTER SEATED IN PC BOARD.
- ⑦ CONTACT POINT AFTER SEATED IN PC BOARD.
- ⑧ HOT STAMPING ON THIS SIDE.



148384-5  
PART NUMBER

THIS DRAWING IS A CONTROLLED DOCUMENT.		DWN L. BRINER 8/11/97	AMP Incorporated Harrisburg, PA 17105-3608
DIMENSIONS:		CHK R. PATTERSON 8/11/97	
TOLERANCES UNLESS OTHERWISE SPECIFIED:		APPROV R. PATTERSON 8/11/97	NAME RECEPTACLE ASSEMBLY, EUROCARD, TYPE M, 24 + 8 POSITION
mm		PRODUCT SPEC	
0 PLC $\pm$		APPLICATION SPEC	SIZE
1 PLC $\pm$			CAGE CODE
2 PLC $\pm 0.13$ [.005]			DRAWING NO
3 PLC $\pm$			RESTRICTED TO
4 PLC $\pm$			A1 00779
ANGLES			SCALE 4:1
MATERIAL		WEIGHT	SHEET 1 OF 1
HOUSING: ①			REV A
POST: ②		CUSTOMER DRAWING	